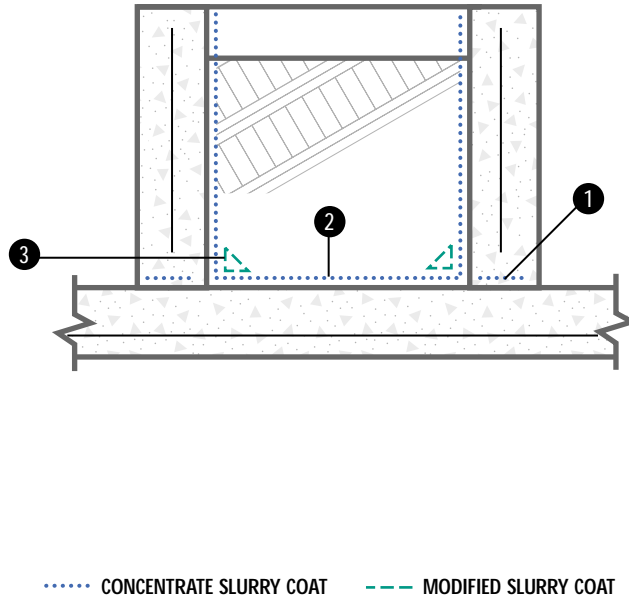


PLANTER



- ❶ Between pours, apply Xypex Concentrate slurry to all joint surfaces at the rate of 2.0 lb./sq. yd. (1.0 kg/m²).
- ❷ Apply one slurry coat of Xypex Concentrate at the rate of 1.5 lb./sq. yd. (0.8 kg/m²) to all interior wall and floor surfaces.
- ❸ After slurry coat has set but while it is still “green”, apply a cove strip of Xypex Modified mortar over interior slab/wall construction joint.

Schematic diagram shows Xypex application only and does not depict the standard requirements for waterstops or expansion joint sealants.

The specifier can consider the alternative use of Xypex Dry Shake or Xypex Admix, where applicable.

Refer to Standard Specifications for further information.